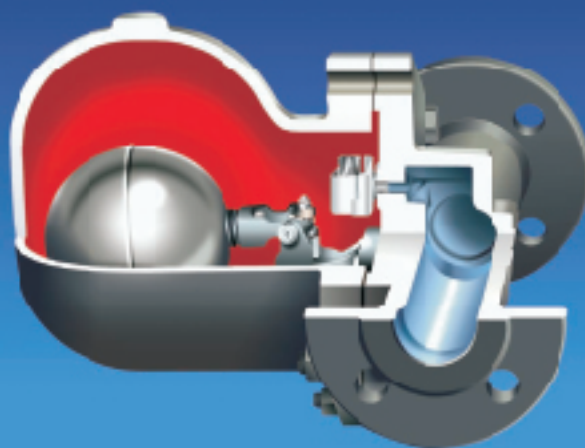


Cooling & Heating Division

FLOAT TRAP
With Thermostatic Air Vent
TFT-TV-H - CI/CS



TFT-TV-H

HIGH CAPACITY, LARGE SIZE FOR SATURATED STEAM APPLICATION

MAIN FEATURES

- High condensate handling capacity.
- SG Iron body with SS internals and built in thermostatic Air Vent.
- Designed for varying loads with continuous discharge.
- Unaffected by instantaneous pressure changes.
- Used for removing condensate from steam heating equipments at saturated temperature as soon as it is formed

INSTALLATION

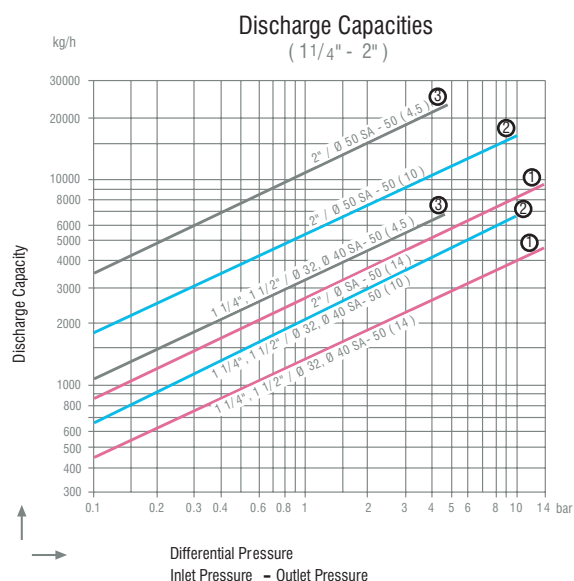
The steam trap must be fitted with the float arm in horizontal plane so that the float rises and falls vertically in the body.

CONNECTIONS

| | |
|---------|-----------|
| Screwed | NPT, BSP |
| Flanged | Available |

SIZES

| | |
|------------|--------------------|
| 32 - 50 mm | 1 1/4" - 2" inches |
|------------|--------------------|



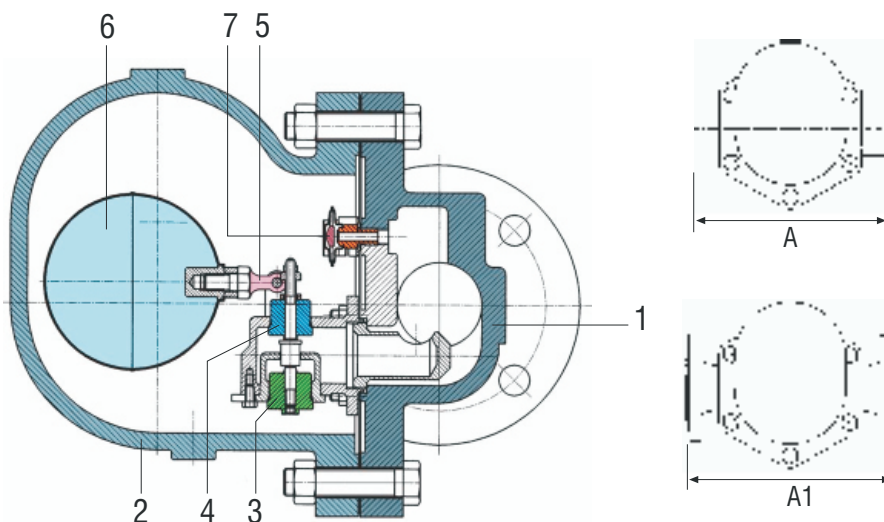
14 bar diff. press. 10 bar diff. press. 4.5 bar diff. press.

SPECIFICATIONS

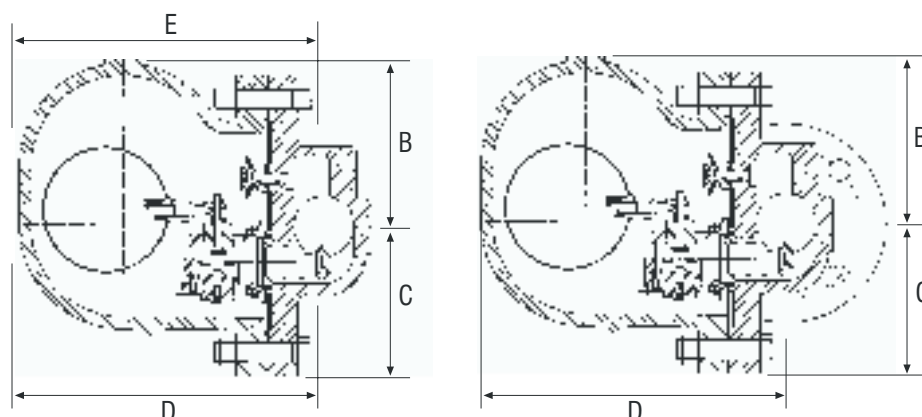
| OPERATING CONDITIONS | Cast Iron Body | Cast Steel Body |
|--------------------------------------|----------------|-----------------|
| Max. Allowable Pressure PMA (bar) | 25 | 40 |
| Max. Allowable Temperature TMA (°C) | 300 | 400 |
| Max. Operating Pressure PMO (bar) | 16 | 32 |
| Max. Differential Pressure PMD (bar) | 4.5 - 10 - 14 | 4.5 - 10 - 14 |
| Max. Operating Temperature TMO (°C) | 250 | 400 |

| WEIGHTS | | | |
|-------------|--------------|---|-----------|
| Connections | Flanged | Screwed | Butt weld |
| Sizes mm | 32-40-50 | 1 ¹ / ₄ -1 ¹ / ₂ -2 | --- |
| Weights kgs | 20.8-21.8-33 | 16.8-17.6-22 | — |

| SPARE PARTS | | MATERIAL |
|-------------|---------------------|--------------------------|
| 1 | Body | GGG 40.3 or GSC 25 |
| 2 | Cover | GGG 40.3 or GSC 25 |
| 3 | Float Seat | Stainless Steel AISI 304 |
| 4 | Main Valve (ball) | Stainless Steel |
| 5 | Float Lever | Stainless Steel AISI 304 |
| 6 | Float | Stainless Steel AISI 304 |
| 7 | Air Vent | Stainless Steel AISI 304 |



| Size | A - A1 | B | C - C1 | D | E | No. Holes |
|------|-----------|-----|-----------|-----------|-----|-----------|
| 32 | 270 - 320 | 130 | 108 - 108 | 238 - 242 | 270 | 4 |
| 40 | 270 - 320 | 130 | 108 - 108 | 238 - 242 | 270 | 4 |
| 50 | 300 - 320 | 138 | 125 - 122 | 250 - 250 | 200 | 4 |



Special inspection and certification available on request

In view of our constant endeavor to improve the quality of our products, we reserve the right to alter or change specifications without prior notice.



THERMAX

Sustainable Solutions in Energy & Environment

COOLING & HEATING DIVISION

Services SBU - FEMS

D - 13, MIDC Industrial Area, R. D. Aga Road, Chinchwad, Pune 411 019. INDIA
 Tel.: +91-20-2747 5941
 Fax: +91-20-2747 7080
 E-mail: info.c&hservices@thermaxindia.com

AHMEDABAD 380 006

Tel.: (079) 2657 5408 / 5341 / 7073
 Fax: (079) 2657 7270
 E-mail: mambiar@thermaxindia.com

BANGALORE 560 020

Tel.: (080) 2346 7761 - 64
 Fax: (080) 2346 7760
 E-mail: adminblr@thermaxindia.com

CHENNAI 600 018

Tel.: (044) 2435 3831 - 34
 Fax: (044) 2435 3841
 E-mail: chennaidivsupp@thermaxindia.com

HYDERABAD 500 482

Tel.: (040) 2339 6820, 2331 0254
 Fax: (040) 2331 2335
 E-mail: hyd_sec@thermaxindia.com

MUMBAI 400 016

Tel.: (022) 2204 5391, 2204 5324
 Fax: (022) 2204 0859
 E-mail: psecretat@thermaxindia.com

NEW DELHI 110 057

Tel.: (011) 2614 5319, 2614 5701
 Fax: (011) 2614 5311, 2614 8679
 E-mail: psupport@thermaxindia.com

KOLKATA 700 016

Tel.: (033) 2282 6711 - 13
 Fax: (033) 2282 6769
 E-mail: mbiswas@thermaxindia.com

VADODRA 390 005

Tel.: (0265) 231 4802, 234 5442
 Fax: (0265) 231 0051
 E-mail: pbaroda@thermaxindia.com

www.thermaxindia.com

International offices at
 Indonesia, Russia, Kazakhstan, Saudi Arabia,
 Malaysia, Bangladesh, Sri Lanka, Hong Kong, China
 Thailand, UAE, Kenya, Nigeria, Brazil, UK, USA

Thermax Business Portfolio

Boilers & Heaters

Absorption Cooling

Air Pollution Control

Captive Power

Chemicals

Water & Waste Solutions